



L-BAND Low Noise Amplifier (LNA)

Model No: UMAC/LB01545/100-0122

Specifications	
Input Frequency Range	1540 - 1550 MHz
Output Power @ 1dB Gain compression	+10dBm min.
Small Signal Gain	50 dB min.
Gain flatness over operating Frequency	0.5 dB typical
Noise Temperature @ 25 °C	60 K max.
Third Order Intercept Point	+13 dBm min.
Input / Output Return Loss	- 16 dB or Better
Spurious Signals	- 60 dBc or Better
Power Consumption	1.8 Watt
RF Connectors IN/OUT	SMA Female
DC / Control Connectors	D-sub 9-Pin Male
Operating Voltage	24 V
Operating Ambient Temperature	10 to +55 °C
Storage Temperature	0 to + 60 °C
Relative Humidity	95%
Enclosure Protection	IP 65
Dimension (Include mount hole & screw)	160 X 55 X 30 mm (max)



Aerospace



Teleport Management



Military

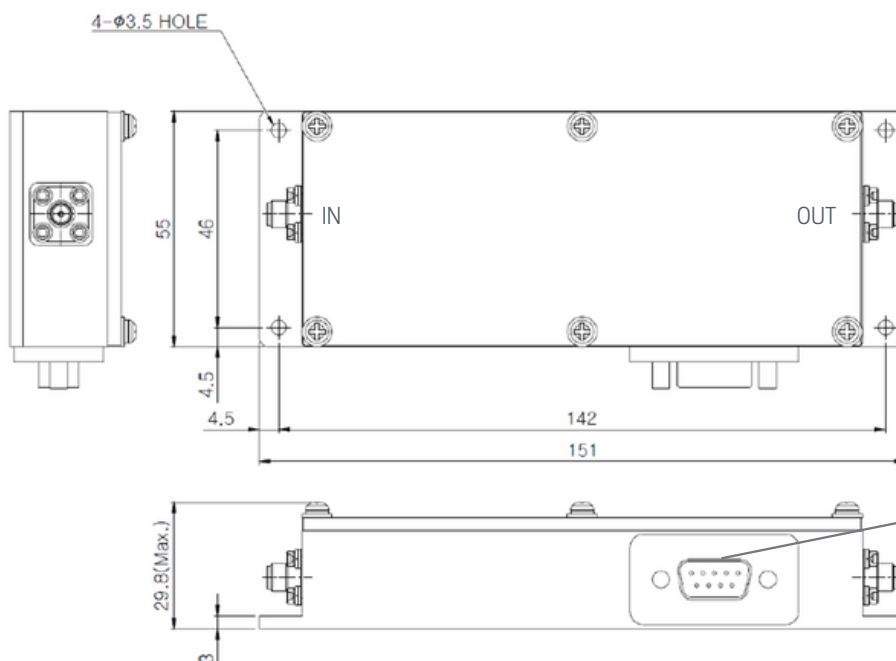


Satellite Communications



Broadcasting

Physical Dimensions (mm)



Pin Details
 1- Power Supply (24V)
 2- Grounding

